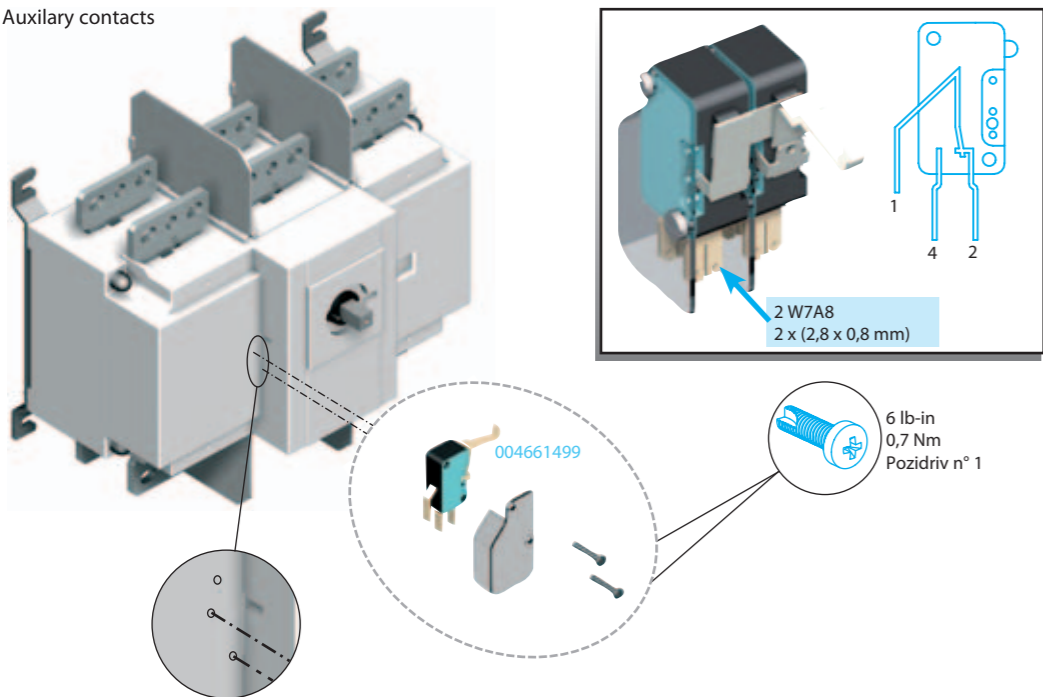
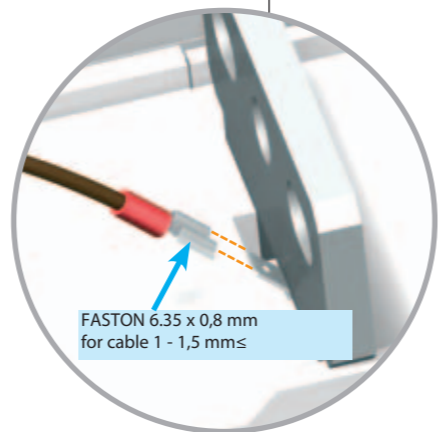
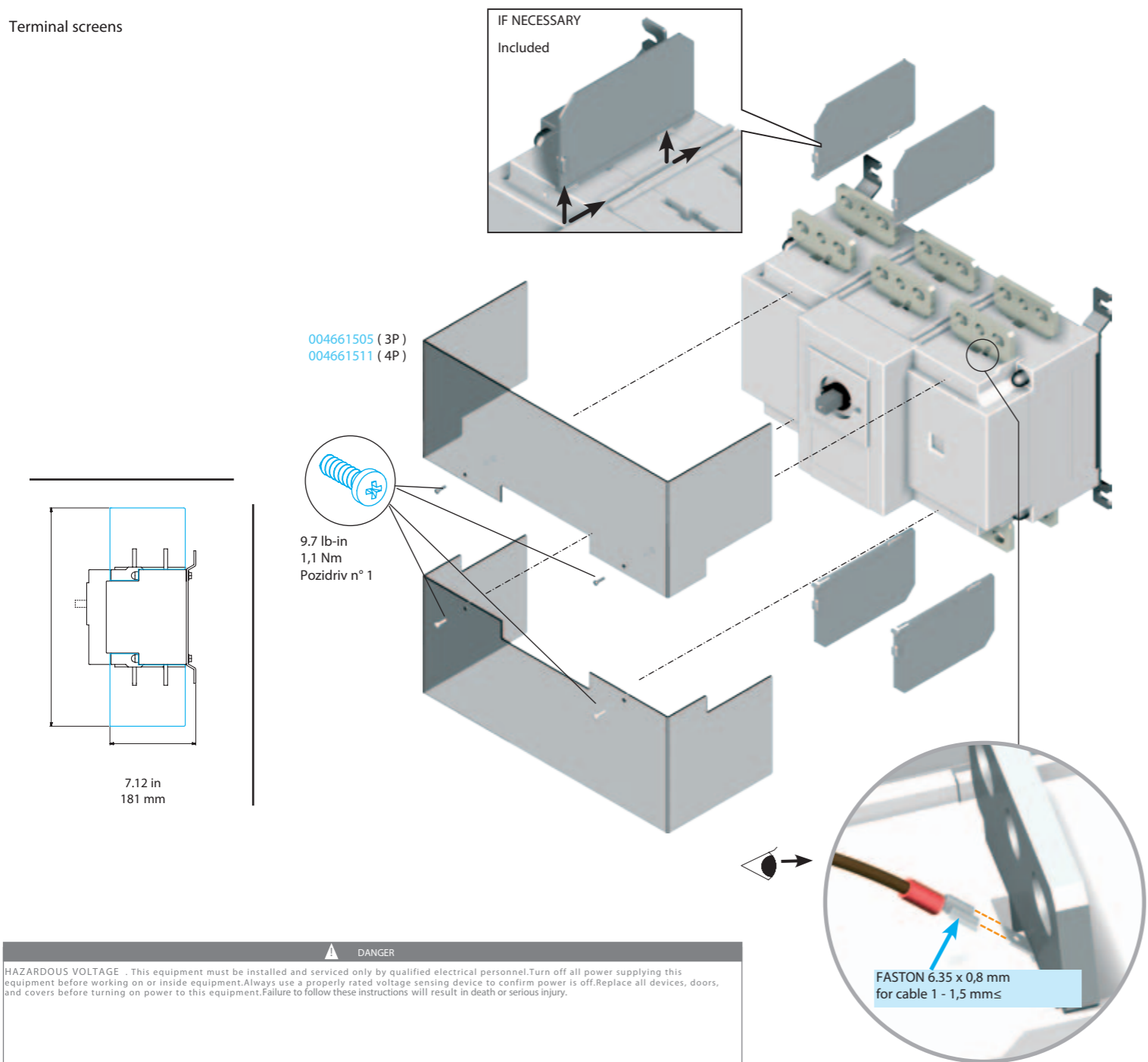


Auxiliary contacts

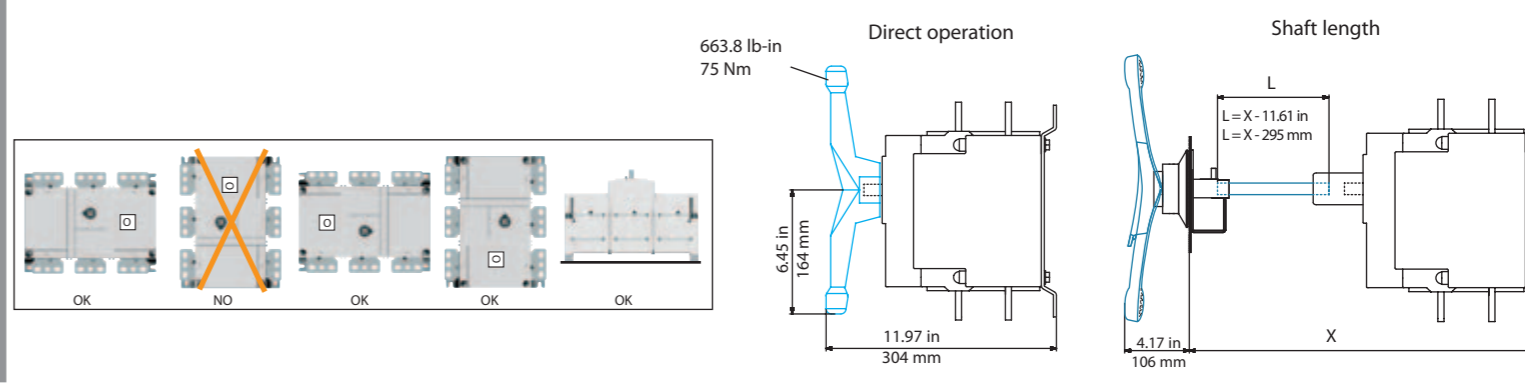
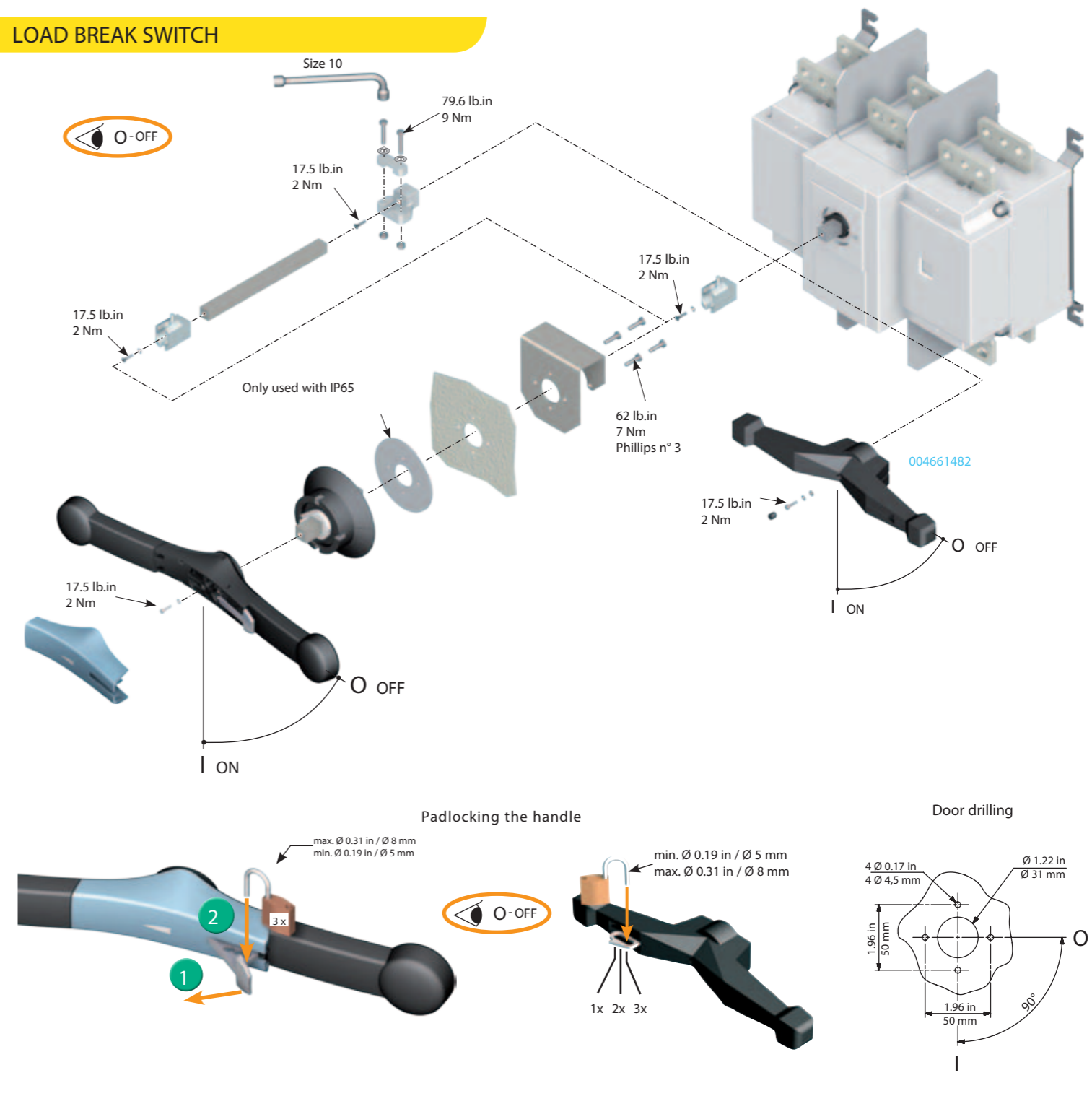


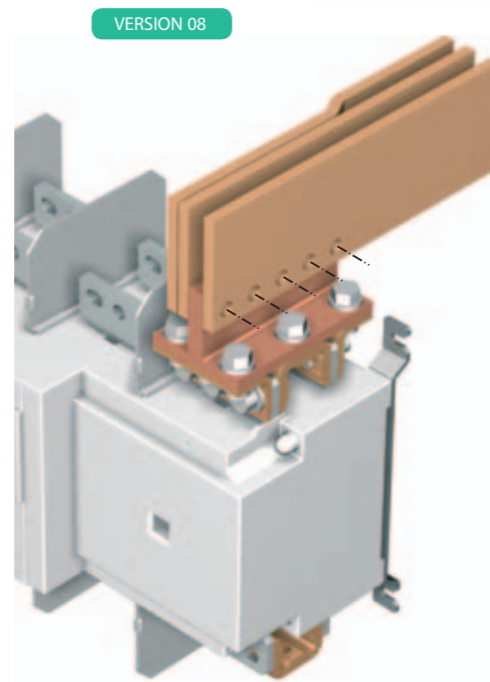
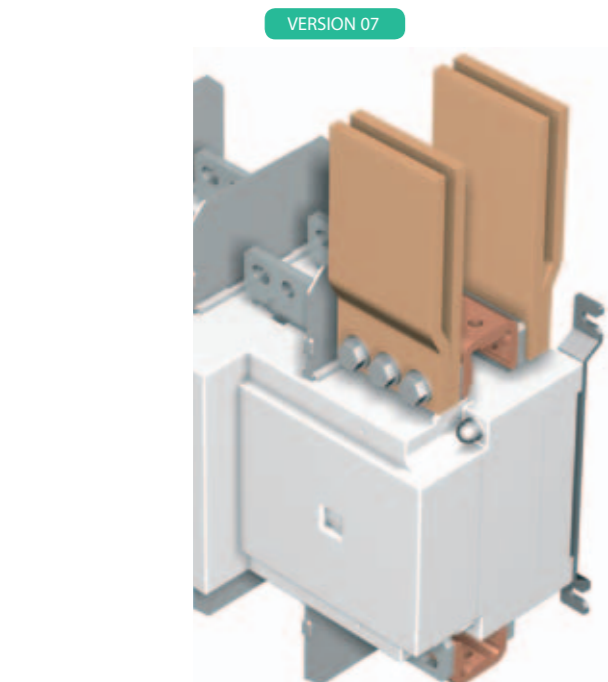
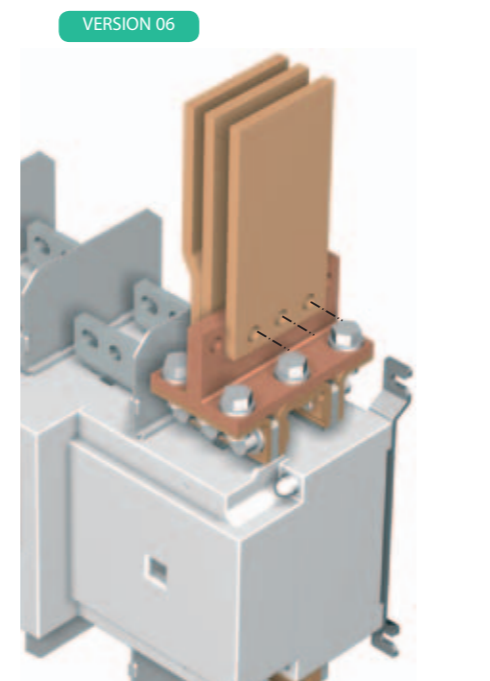
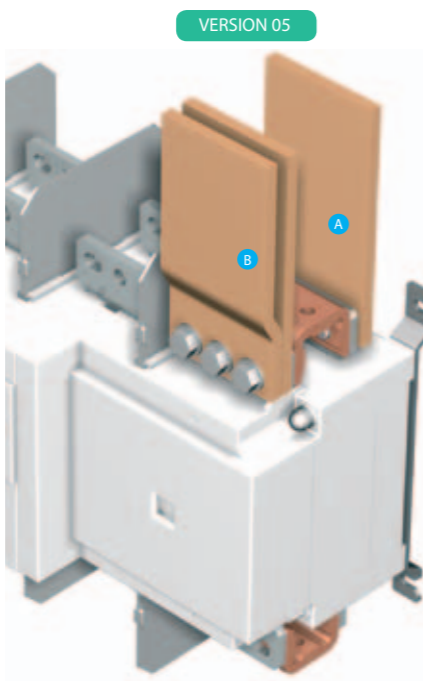
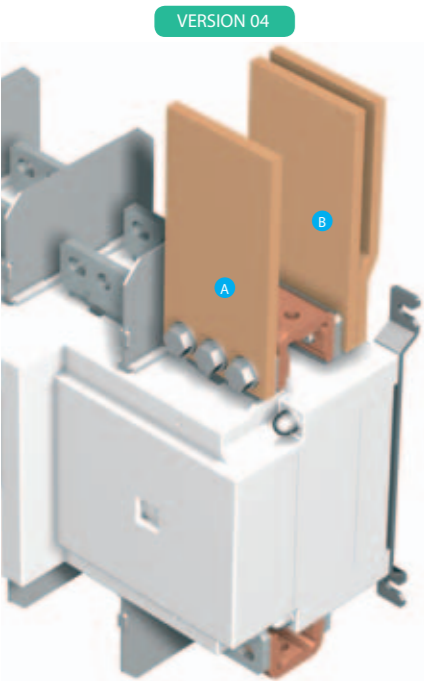
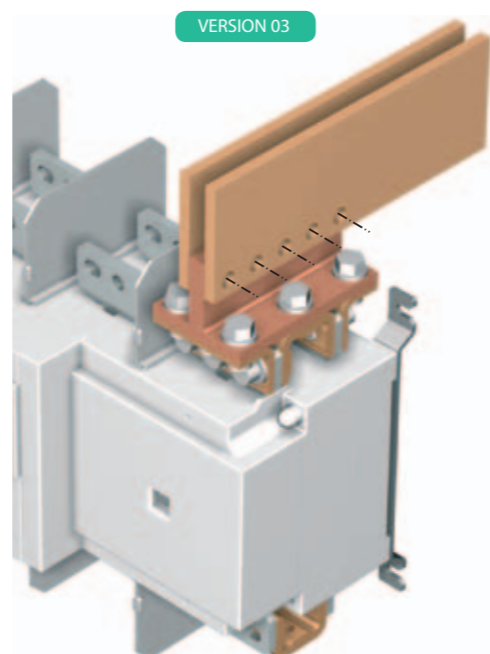
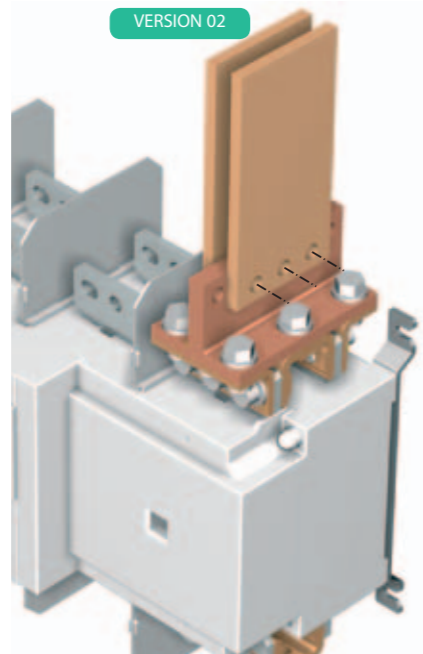
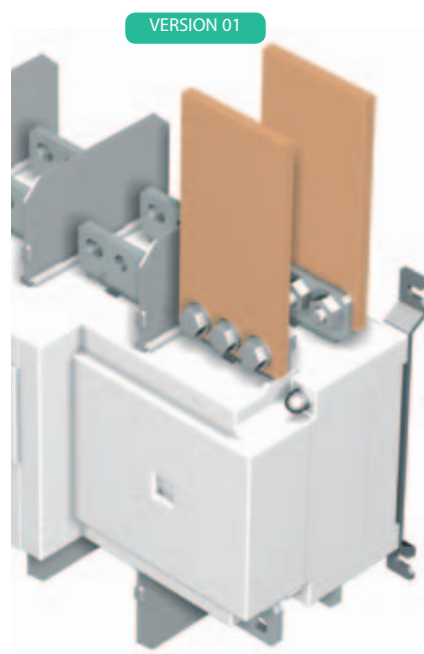
Terminal screens



LBS-PS11 - LBS-TS3200 3P - LBS-TS4P/3200
LBS 2000, 2500, 3200 3P - LBS 2500, 3200 4P

LOAD BREAK SWITCH





VERSION N°	Maximal current without downgrading *			Minimum connection without downgrading	provided with 3200A			708 lb-in 80 Nm			
	1	2	3		Cu	004661597	004661599	004661600	708 lb-in 80 Nm	Rondelle contact MOY.M M12 NFE 25 511	H M12
01	2000 A	2500 A	2500 A	2 x 100x10	-	-	-	-	H M12-35 6.8 6 x	12 x	6 x
02	2000 A	2500 A	2500 A	2 x 100x10	✓	✓	✓	-	H M12-55 6.8 3 x	6 x	3 x
03	2000 A	2500 A	2500 A	2 x 100x10	✓	✓	✓	-	H M12-55 6.8 5 x	3 x	5 x
04	2000 A	2500 A	3200 A	3 x 100x10	✓	-	-	-	A H M12-35 6.8 3 x	3 x	-
05	2000 A	2500 A	3200 A	3 x 100x10	✓	-	-	-	B H M12-45 6.8 3 x	6 x	-
06	2000 A	2500 A	2900 A	3 x 100x10	✓	✓	✓	-	H M12-65 6.8 3 x	6 x	3 x
07	2000 A	2500 A	3200 A	4 x 100x10	✓	-	-	-	H M12-45 6.8 6 x	6 x	-
08	2000 A	2500 A	3200 A	3 x 100x10	✓	✓	✓	-	H M12-65 6.8 5 x	10 x	5 x

* The conditions of use can lead to a downgrading.

1 I_{th} = 2000 A
3 P
004661458

2 I_{th} = 2500 A
3 P 004661459 4 P 004661468

3 I_{th} = 3200 A
3 P 004661460 4 P 004661469

