

## Technical data

# Home distribution board DIDO-E

### Technical data

Degree of protection	IP 40*
Colour	white
Double insulation	<input type="checkbox"/>
Standard	IEC 62208, IEC 60670-1, IEC 60670-24
Installation temperature	-25° / +60°C
Glow wire test	650°C

\*IP 30 for EC 1+1, 3+1, 3+2, ECGxxMEDIA

### Number of N - PE terminals (1,5...16mm<sup>2</sup>):

ECT/ECM4PT/PO	2x4	4 PE / 4 N
ECT/M8PT/PO	2x8	8 PE / 8 N
ECT/M12PT/PO	2x10	10 PE / 10 N
ECT/M18PT/PO	2x13	13 PE / 13 N
ECT/M24PT/PO	2x13	13 PE / 13 N
ECT/M36PT/PO	2x15	15 PE / 15 N
ECT48PT/PO	2x20	20 PE / 20 N
ECT/M 2x18PT/PO	2x15	15 PE / 15 N
ECT/M 3x18PT/PO	2x25	25 PE / 25 N
ECT 4x18PT/PO	2x30	30 PE / 30 N
ECT 1x24PT/PO	2x13	13 PE / 13 N
ECG14	2x10	10 PE / 10 N
ECG28	2x13	13 PE / 13 N
ECG42	2x15	15 PE / 15 N
ECG56	2x20	20 PE / 20 N
ECG70	2x30	30 PE / 30 N
EC 1+1	-	
EC 3+1	-	
EC 3+2	2x4	4 PE / 4 N

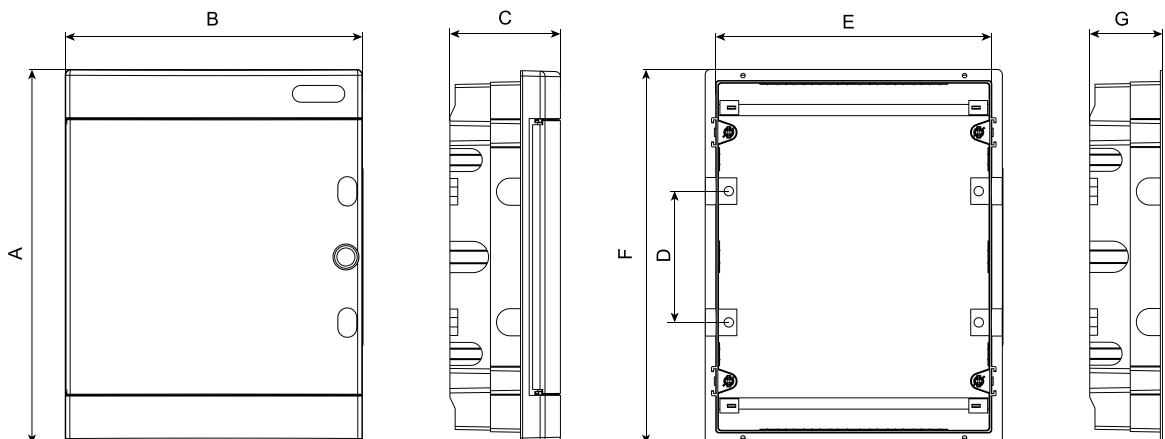
- ECG14, ECG28, ECG42 have 1 additional free space to build in an extra PST-UNI terminal.

- ECG56 and ECG70 have no extra space for PST-UNI terminals.

- Double insulation not valid for ECG MEDIA

### Flush mounted distribution board

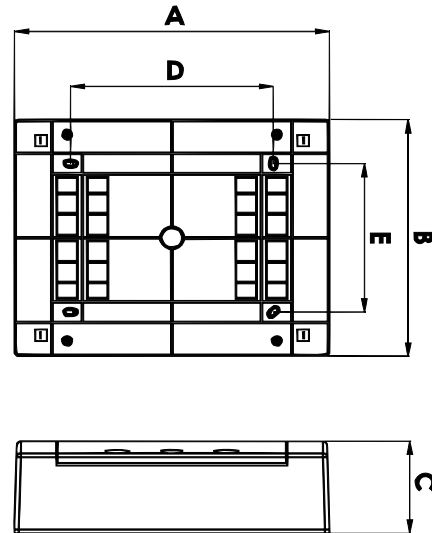
type	Dimensions							Max. allowed power losses when Max. number of devices are installed Pde	Static load
	A	B	C	D	E	F	G		
ECM4PT/ECM4PO	232 mm	139 mm	99 mm	-	123 mm	216 mm	69 mm	>10W	520 g
ECM8PT/ECM8PO	232 mm	211 mm	99 mm	-	201 mm	212mm	68 mm	>16W	1040 g
ECM12PT/ECM12PO	232 mm	283 mm	106 mm	-	273 mm	212 mm	68 mm	>25W	1560 g
ECM18PT/ECM18PO	232 mm	392 mm	106 mm	-	382 mm	212 mm	68 mm	>25W	2340 g
ECM24PT/ECM24PO	357 mm	283 mm	106 mm	125 mm	273 mm	336 mm	68 mm	>30W	1560 g
ECM36PT/ECM36PO	482 mm	283 mm	106 mm	125 mm	273 mm	462 mm	68 mm	>30W	1560 g
ECM2x18PT/ECM2x18PO	357 mm	392 mm	106 mm	125 mm	382 mm	336 mm	68 mm	>30W	2340 g
ECM3x18PT/ECM3x18PO	522 mm	392 mm	106 mm	125 mm	382 mm	502 mm	68 mm	>35W	2340 g



**Surface mounted distribution board**

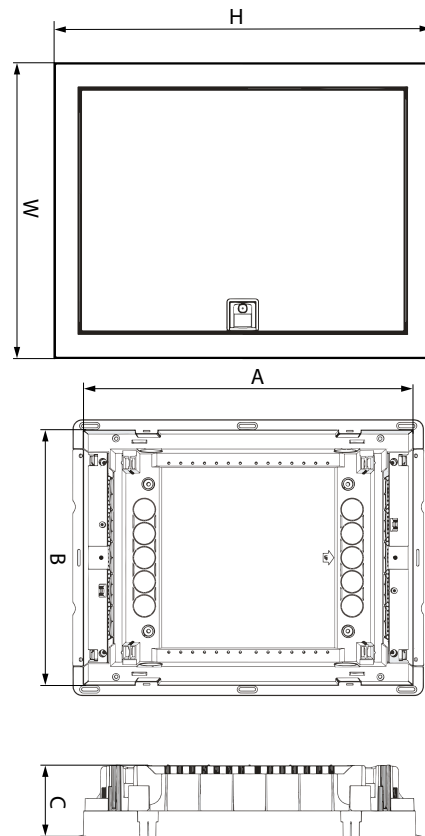
type	Dimensions**					Pde*	Static load
	A	B	C	D	E		
ECT4PT/ECT4PO	235 mm	143 mm	98 mm	127 mm	46 mm	10 W	520 g
ECT8PT/ECT8PO	236 mm	215 mm	102mm	107 mm	120 mm	16 W	1040 g
ECT12PT/ECT12PO	236 mm	287 mm	112 mm	107 mm	180 mm	25 W	1560 g
ECT18PT/ECT18PT	236 mm	396 mm	112 mm	107 mm	289 mm	25 W	2340 g
ECT24PT/ECT24PO	361 mm	287 mm	112 mm	232 mm	180 mm	30 W	1560 g
ECT36PT/ECT36PO	485 mm	287 mm	112 mm	357 mm	180 mm	30 W	1560 g
ECT48PT/ECT48PO	652 mm	287 mm	112 mm	482 mm	180 mm	35 W	1560 g
ECT2x18PT/ECT2x18PO	361 mm	396 mm	112 mm	232 mm	289 mm	30 W	2340 g
ECT3x18PT/ECT3x18PO	526 mm	396 mm	112 mm	357 mm	289 mm	35 W	2340 g
ECT4x18PT/ECT4x18PO	651 mm	396 mm	112 mm	357 mm	289 mm	40 W	2340 g
ECT1x24PT/ECT1x24PO	236 mm	503 mm	112 mm	107 mm	396 mm	30 W	2340 g

\* Max. allowed power losses when Max. number of devices are installed  
 \*\*Sizes are also valid for IT distribution boards DIDO-E MEDIA: ECT...MEDIA



**Flush mounted distribution board**

type	Dimensions					Max. allowed power losses when Max. number of devices are installed Pde
	A	B	C	H	W	
ECG14	274 mm	306 mm	87 mm	317 mm	346 mm	31 W
ECG28	399 mm	306 mm	87 mm	442 mm	346 mm	40 W
ECG42	549 mm	306 mm	87 mm	592 mm	346 mm	50 W
ECG56	673 mm	306 mm	87 mm	717 mm	346 mm	60 W
ECG70	799 mm	306 mm	87 mm	842 mm	346 mm	70 W



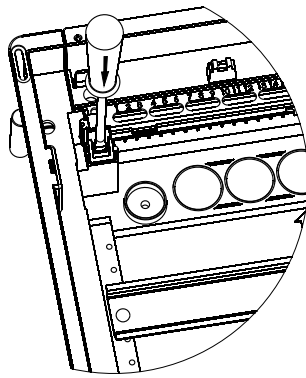
**Surface mounted distribution board - IP30**

type	Dimensions	Number of modules
EC 1+1	137 x 51 x 57	1 (+1)
EC 3+1	137 x 87 x 57	3 (+1)
EC 3+2	97 x 155 x 57	3 (+2)

ECG	
Material	Acrylonitrile butadiene styrene
Color	RAL9003
Door	Acrylonitrile butadiene styrene
Color	Transparent & white
Glow wire test	650°C
Terminal holder	Self extinguish material (Glow wire test: 960°C)
Temperature	-25°C ... +60°C
Rated voltage	AC400V
Standard	IEC 62208, IEC 60670-1, IEC 60670-24
Halogen free	✓

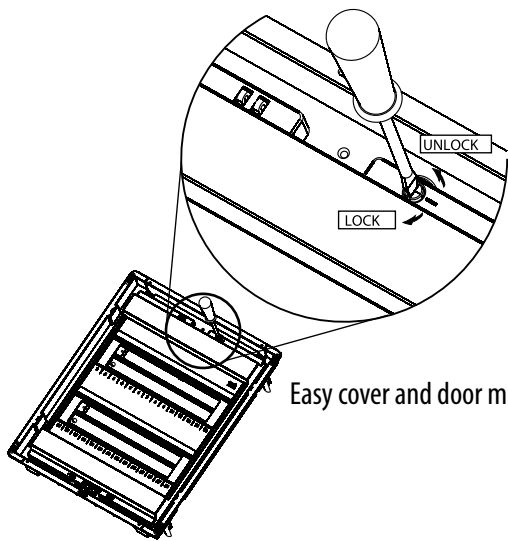
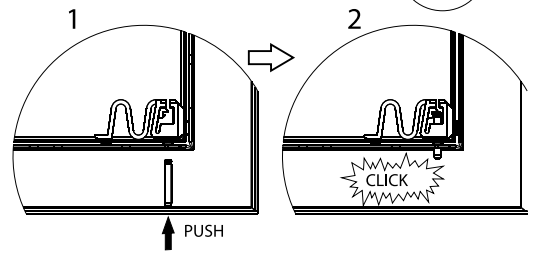
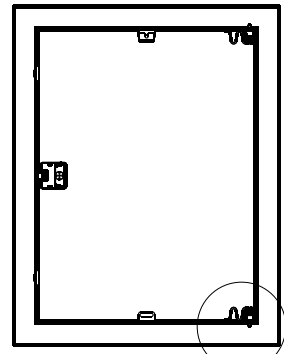
ECG_H	
Material	Acrylonitrile butadiene styrene
Color	RAL9003
Door	Metal
Color	white
Glow wire test	850°C
Terminal holder	Self extinguish material (Glow wire test: 960°C)
Temperature	-25°C ... +60°C
Rated voltage	AC400V
Standard	IEC 62208, IEC 60670-1, IEC 60670-24
Halogen free	✓

Advantages

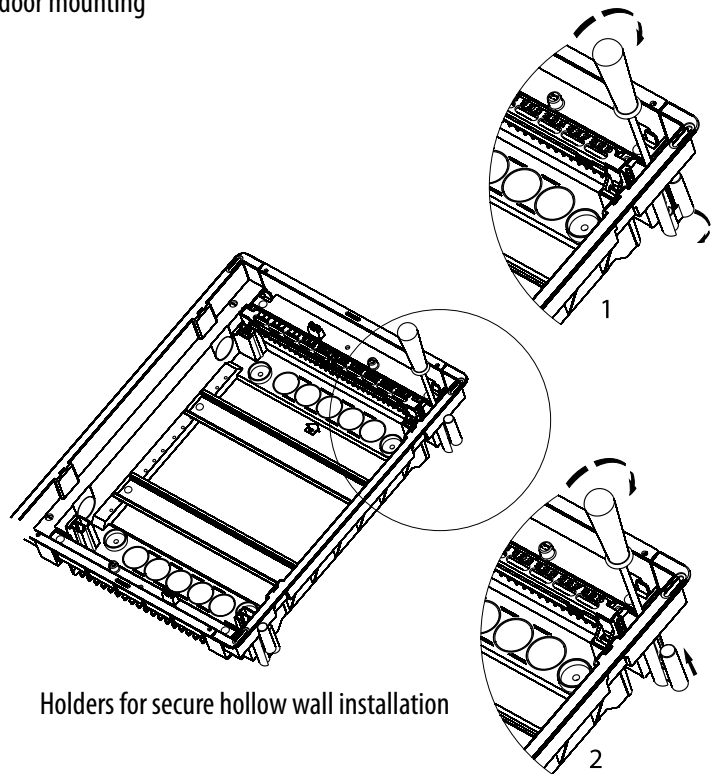


Easy terminal mounting

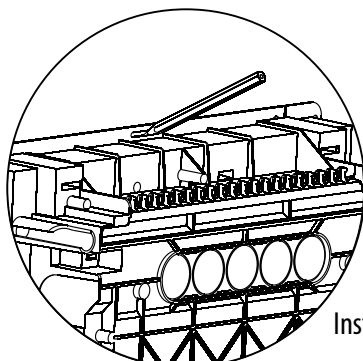
Left or right door mounting



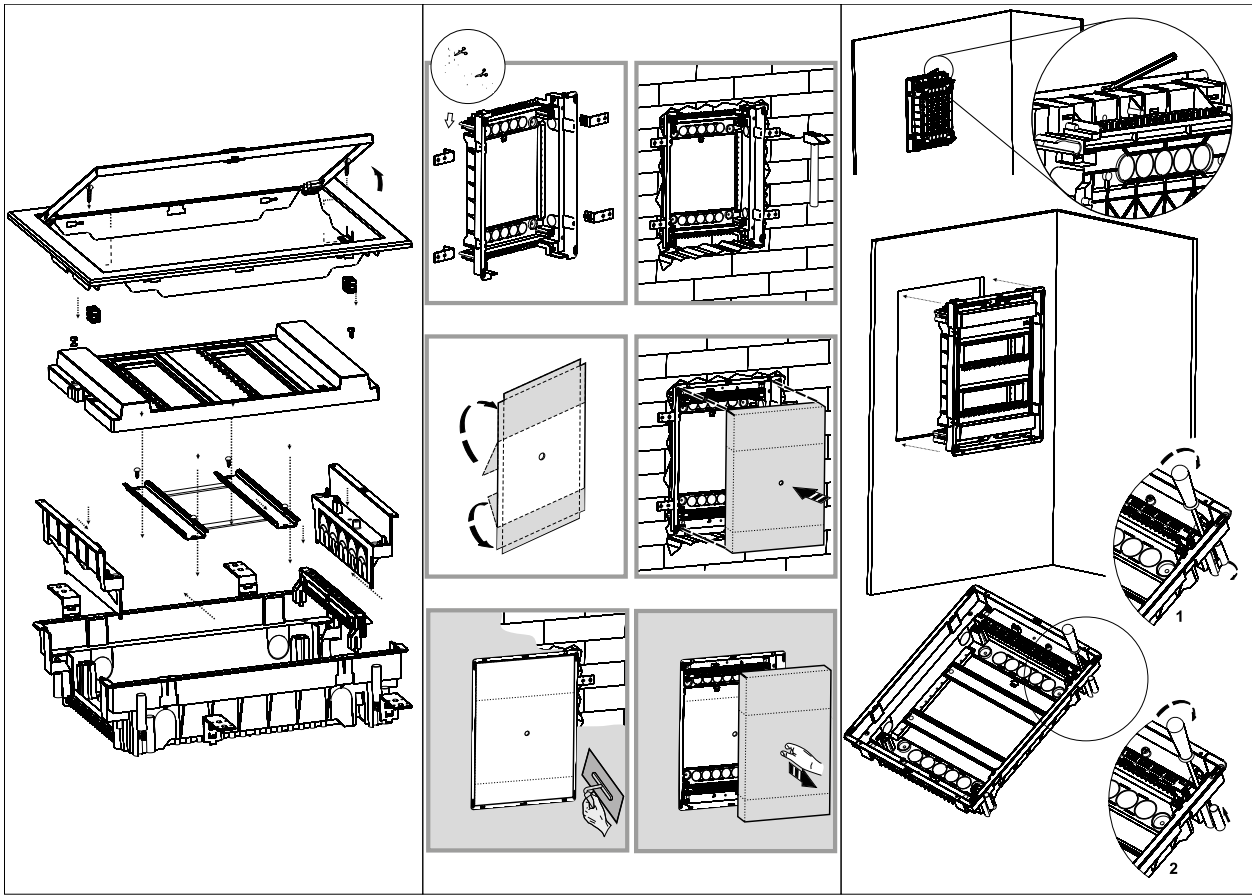
Easy cover and door mounting



Holders for secure hollow wall installation



Installation marking slots for hollow walls

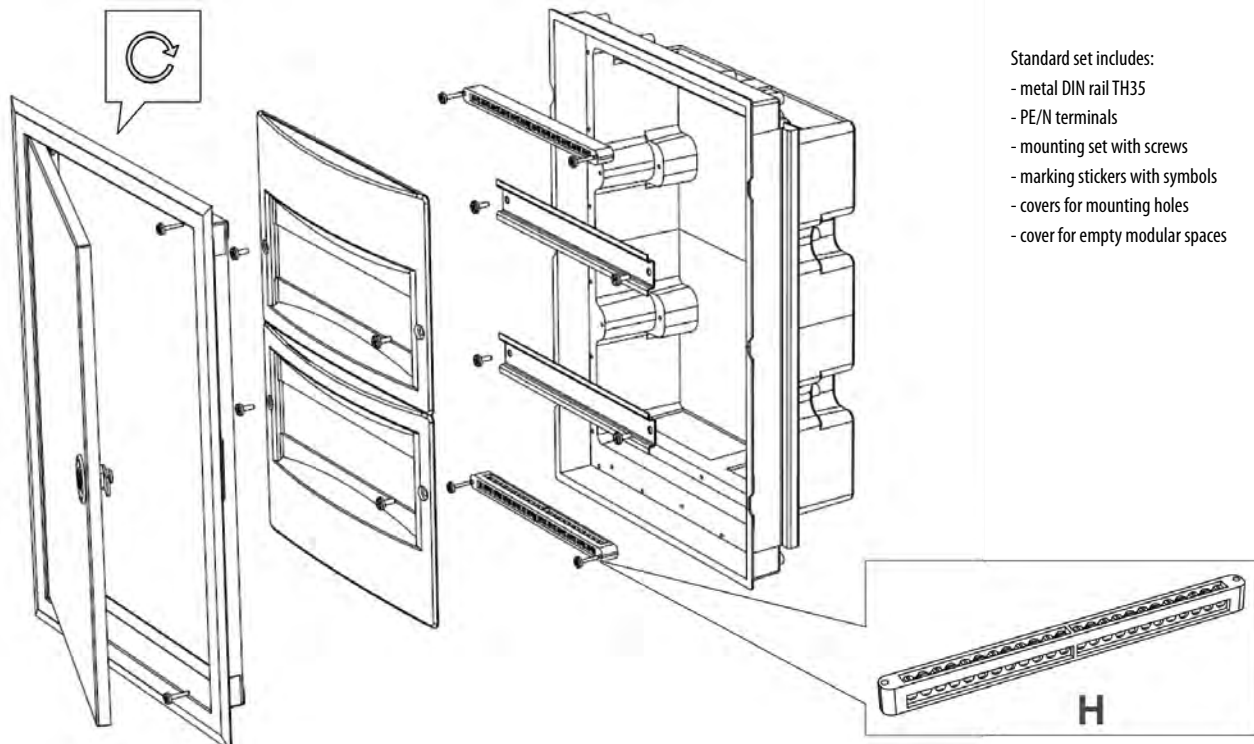


Flush mounted distribution boards with metal doors (IP40) DIDO ERP

Technical data	
Protection against mechanical impacts	IK08
Rated voltage	500V
Protection class	II
Standard	PN-EN 62208:2011

Not for hollow or wooden walls, flush mounted material conforms 650°C glow wire test only!

Assembly



- Standard set includes:
- metal DIN rail TH35
  - PE/N terminals
  - mounting set with screws
  - marking stickers with symbols
  - covers for mounting holes
  - cover for empty modular spaces

H