

# ETITEC B T12 PV according to standard EN 50539-11: 2013

## Advantages:

- optical indication of faulty device (green ok, red false)
- remote signalisation (RC version only)
- DIN rail mounting (EN 60715)
- high discharge currents and high degree of protection
- MOV varistor is the protective element
- metal snapper, new way of mounting on DIN rail (easier, quicker)
- modular design
- EN 50539-11: 2013
- RoHS compliant
- connection up to 35mm<sup>2</sup>

ETITEC B T12 PV series of overvoltage surge protective devices has been developed to protect against direct and indirect discharges and is intended to protect photovoltaic systems. The circuit topology consist of three varistors stages each protected by a thermal disconnection device.

**NEW!**



ETITEC B T12 PV 1000/20 RC

### General characteristics

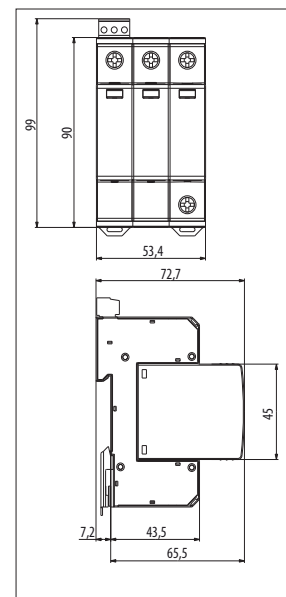
Category IEC/EN/VDE Class I, II/Type 1,2/B+C	High surge discharge ratings: I <sub>imp</sub> =5kA (10/350), I <sub>n</sub> =15kA/per pole , I <sub>max</sub> = 40kA/per pole
Location of use: Branch sub-distribution boards	Internal protection and safety: Thermal disconnector for each MOV block
Protective element: High Energy MOVs	Status indication: Mechanical flag + remote signalization contacts (RC)

### ETITEC B T12 PV

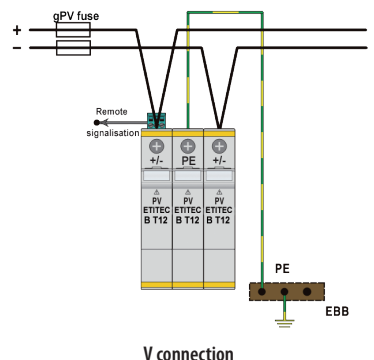
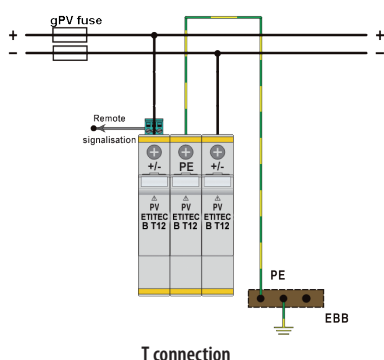
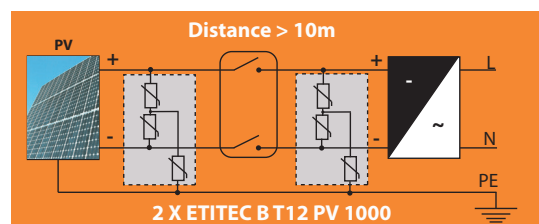
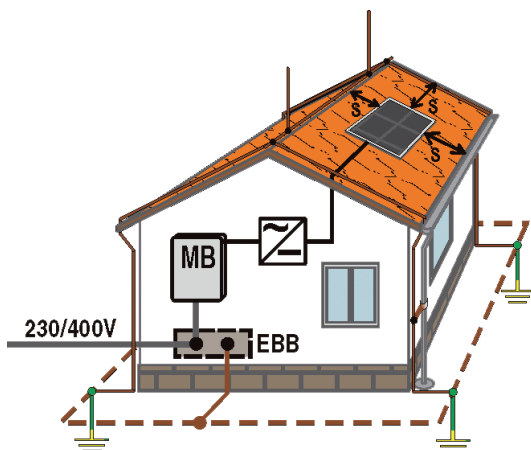
Type	Code No.	Max. PV voltage U <sub>cpv</sub> [V DC]	I <sub>imp</sub> [kA]	I <sub>n</sub> /I <sub>max</sub> (8/20) [kA]	Weight [kg]	Packaging [pcs]
ETITEC B T12 PV 1000/20	002440425	1000	5	15/40	0,4	1/5
ETITEC B T12 PV RC 1000/20 RC	002440427	1000	5	15/40	0,4	1/5

Note: max. PV voltage U<sub>cpv</sub> may be higher than U<sub>ocsc</sub> (open circuit voltage of a PV module under standard test conditions). Safety factor 1,2 is recommended.

Technical data	
Type	ETITEC CT2 PV xxxxx/20 (8/20)
	1000 V
In accordance with	EN 50539-11:2013
Max. continuous operating voltage $U_{cpv}$ (DC)	1000 V
limp (10/350)	5 kA
Nominal discharge current $I_n$ (8/20)	15 kA
Max. discharge current $I_{max}$ (8/20)	40 kA
Protection level Up at $I_n$ (8/20)	<3,5 kV
Follow current $I_f$	No
Response time $t_A$	< 25 ns
Current source generator	1mA
Un min (MOV)	1288V
Un max (MOV)	1574V
Thermal protection	yes
$I_{scpv}$	300 A
Operating temperature	-40°C ... +70°C
Storage temperature	-40°C ... +80°C
Humidity range	5% ... 95%
Terminal cross section	35 mm <sup>2</sup> (solid) / 25 mm <sup>2</sup> (stranded)
Terminal screw torque	Max. 3,0 Nm
Mounting EN 60715	35 mm top-hat rail
Degree of protection	IP20
Housing material	Thermoplastic, extinguishing degree UI 94 V-0
Dimensions DIN 43880	3 TE
Remote contacts - type ...RC	
Contacts ratings	AC 250 V / 0,5 A; 125 V / 3 A
Terminal cross section	Max. 1,5 mm <sup>2</sup>
Terminal screw torque	0,25 Nm
Packaging dimensions	108 mm x 79 mm x 76 mm



## ETITEC B T12 PV for photovoltaic system on a building with External Lightning Protection



Note: If distance between string and inverter is less than 10 m, then you need only one ETITEC B T12 PV.