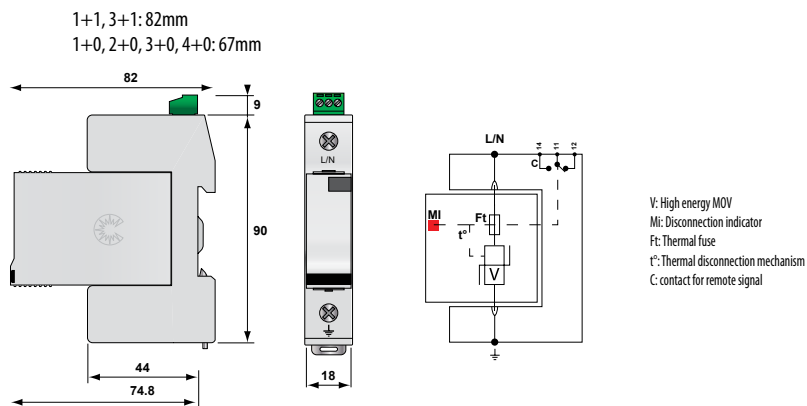


Surge arrester ETITEC V T12

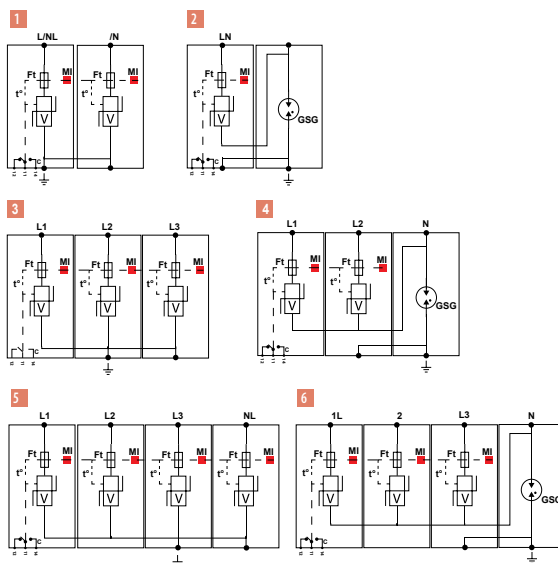
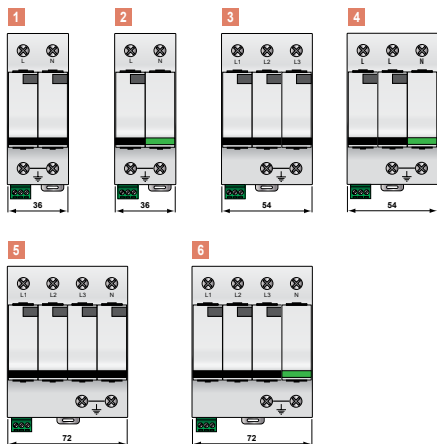
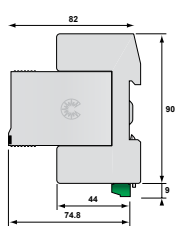
EN/IEC/VDE: T1,T2 /I,II/B,C

ETITEC V T $I_{imp}=12,5kA$			
Type		ETITEC V T12 280	ETITEC V T12 400
Description		1+2 AC surge protector - 1-pole	
Rated. AC voltage	U_o	230/400	230/400 V
Max. AC operating voltage	U_c	280 VAC	440 VAC
Temporary Over Voltage (TOV) Characteristics - 5 sec.	UT	335 Vac withstand	580 Vac withstand
Temporary Over Voltage (TOV) Characteristics -120 min	UT	440 Vac disconnection	770 Vac disconnection
Residual current - Leakage current at U_c	I_{pe}	< 1 mA	< 1 mA
Follow current	I_f	x	x
Nominal discharge current - 15 x 8/20 μs impulses	I_n	20 kA	20 kA
Max. discharge current -max. withstand @ 8/20 μs by pole	I_{max}	50 kA	50 kA
Impulse current by pole - max. withstand 10/350 μs	I_{imp}	12,5 kA	12,5 kA
Specific energy by pole	W/R	40 kJ/ohm	40 kJ/ohm
Protection level	U_p	1,3 kV	1,7 kV
Admissible short-circuit current	I_{scCR}	25000 A	25000 A
Current Source generator		1mA	
Un min (MOV)		387 V AC	
Un max (MOV)		473 V AC	
Associated disconnectors			
Thermal disconnector		internal	
Fuses		Fuses Type gG - 125 A	
Installation ground fault breaker		Type "S" or delayed	
Mechanical characteristics			
Dimensions		see diagram	
Connection to Network		By screw terminals: 2,5-25 mm ² / by bus	
Disconnection indicator		1 mechanical indicator	
Remote signaling of disconnection		output on changeover contact	
Mounting		Symmetrical rail 35 mm (EN60715)	
Operating temperature		-40 ... +85°C	
Protection rating		IP20	
Housing material		Thermoplast UL94-V0	
Standards compliance		IEC 61643-11 / EN 61643-11	

Dimensions



1+1, 3+1: 82mm
 1+0, 2+0, 3+0, 4+0: 67mm



V: High energy MOV
 GSG: Specific gas tube
 MI: Disconnection indicator
 Ft: Thermal fuse
 t*: Thermal disconnection mechanism
 C: Contact for remote signal