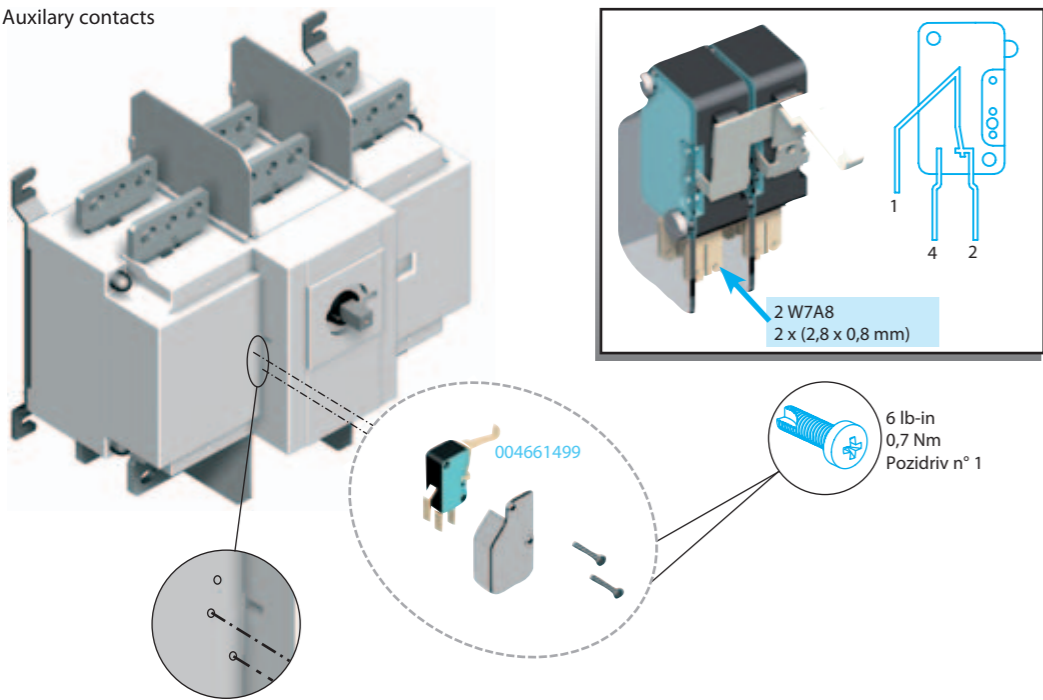
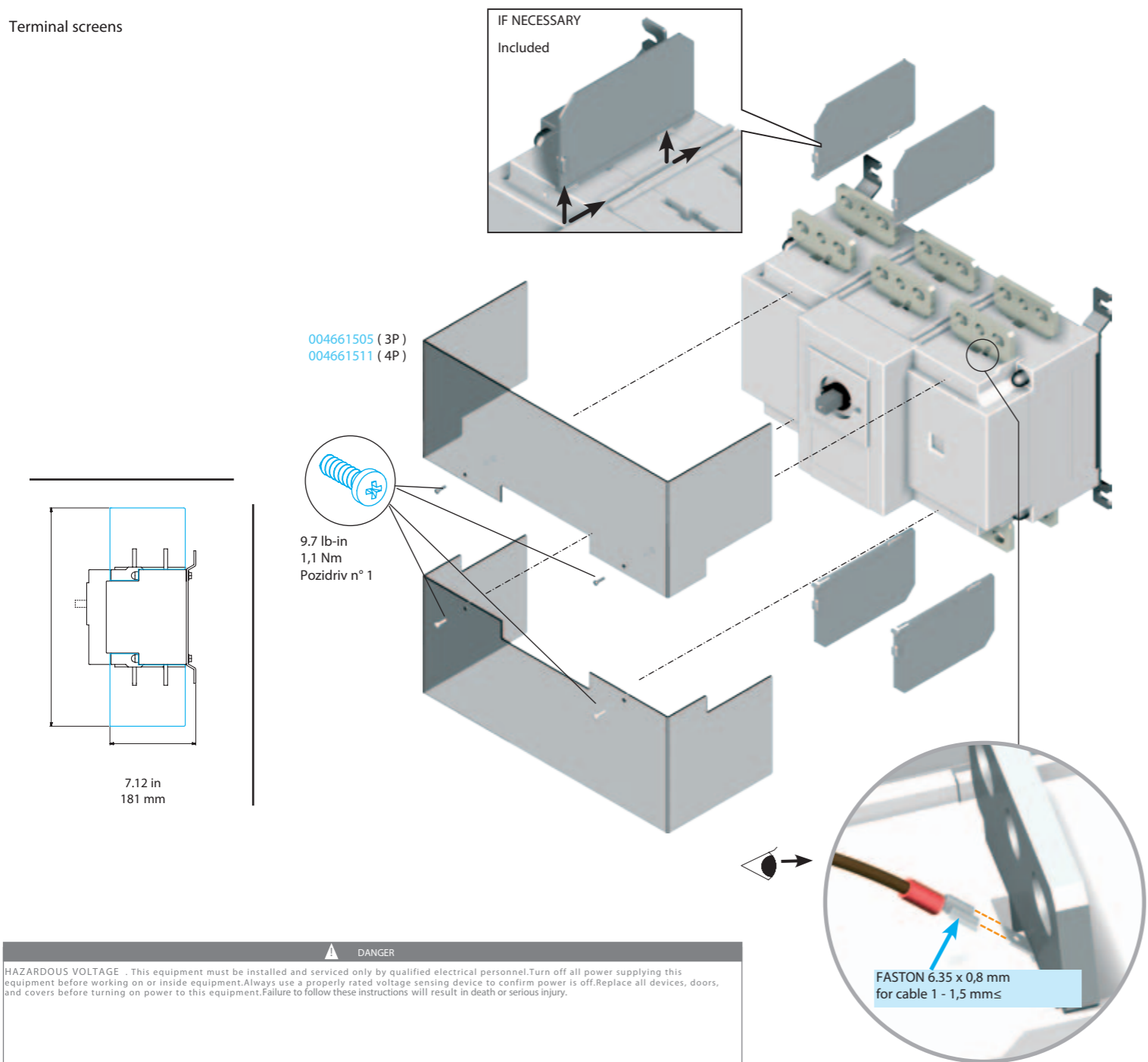


Auxiliary contacts



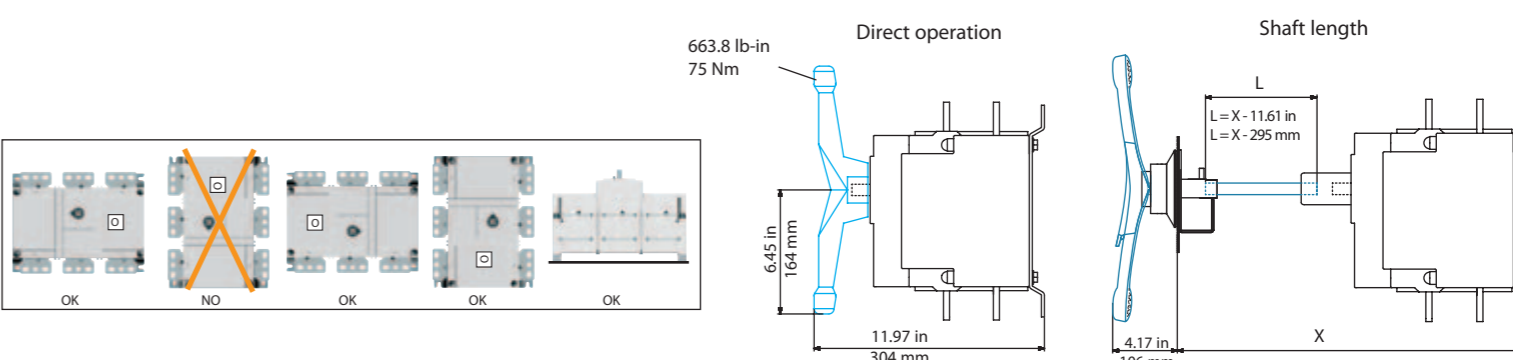
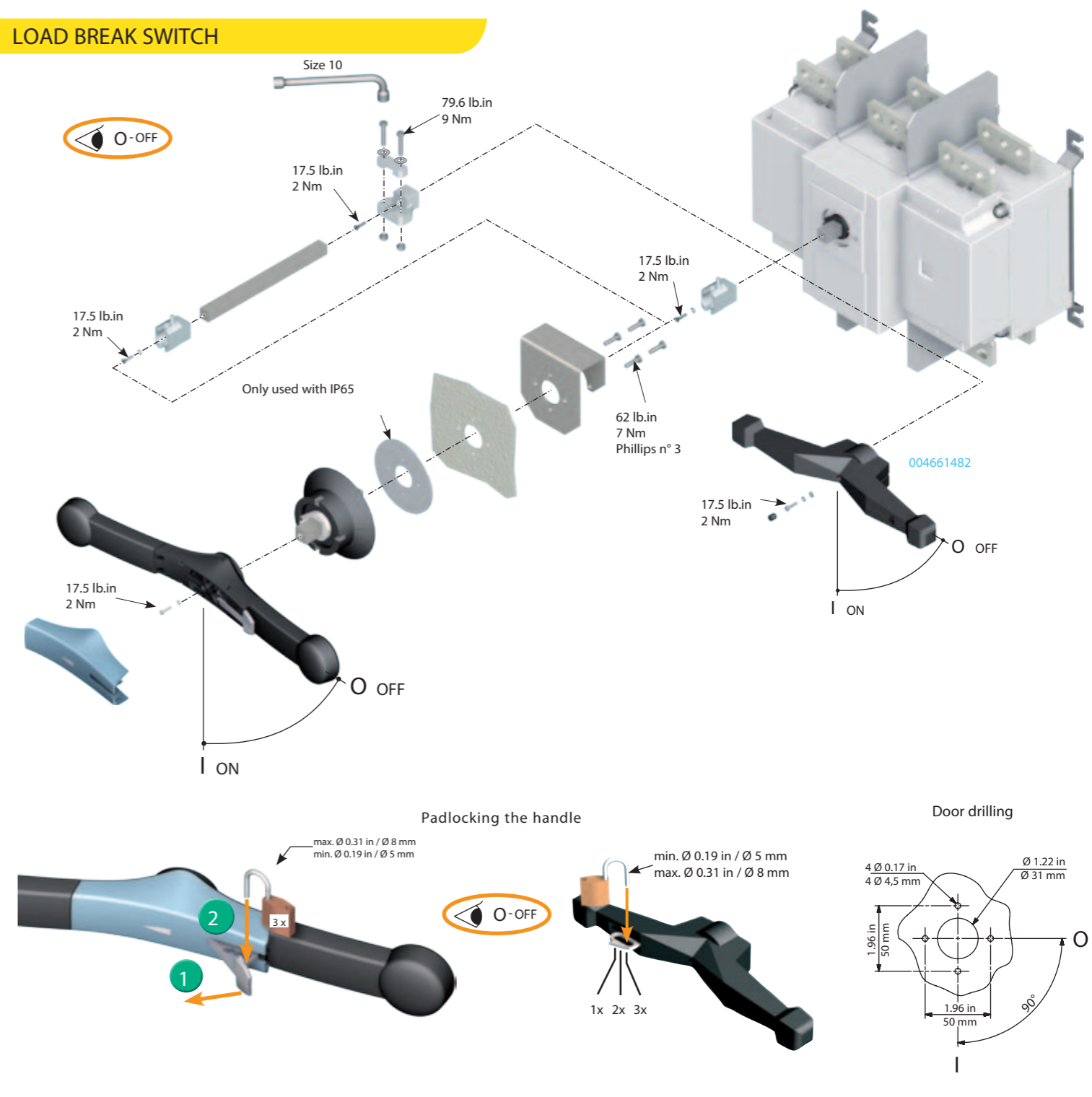
Terminal screens

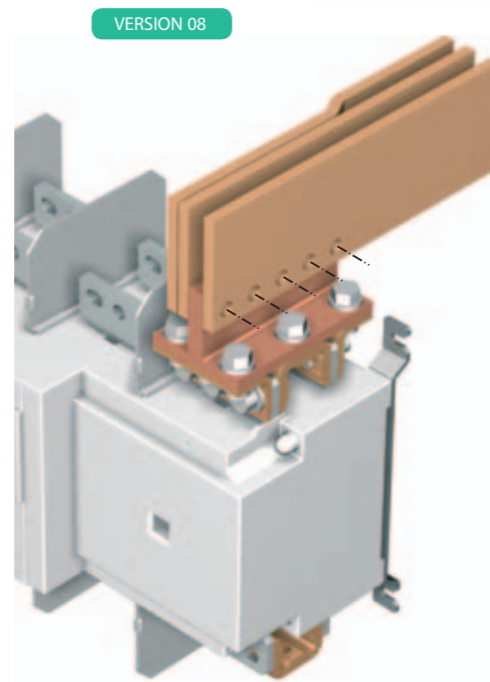
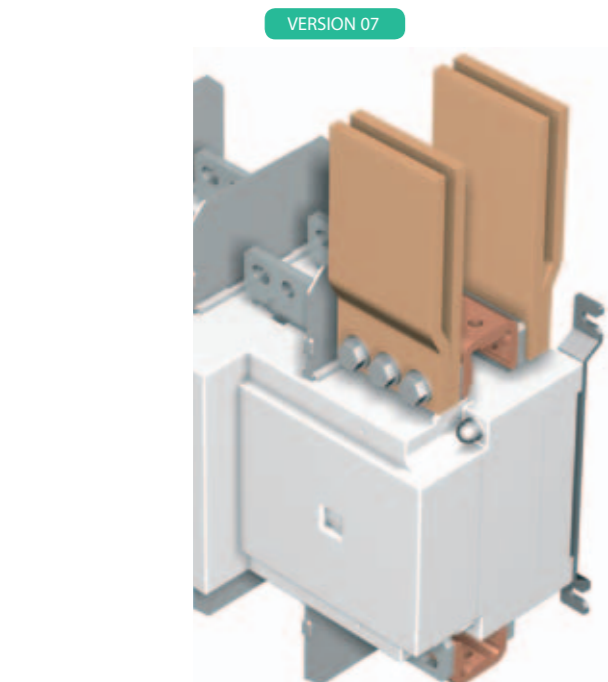
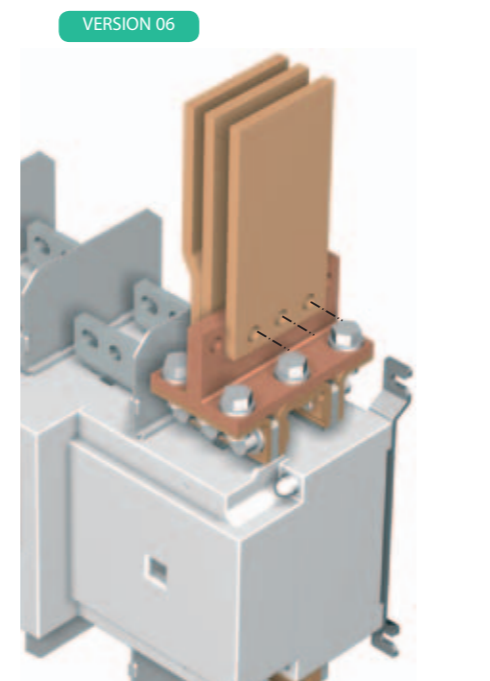
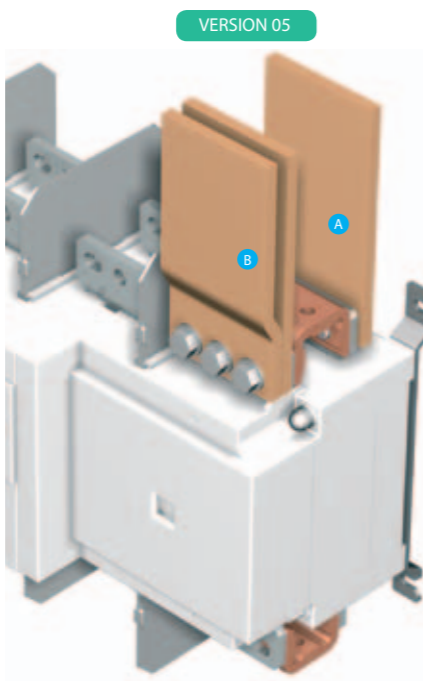
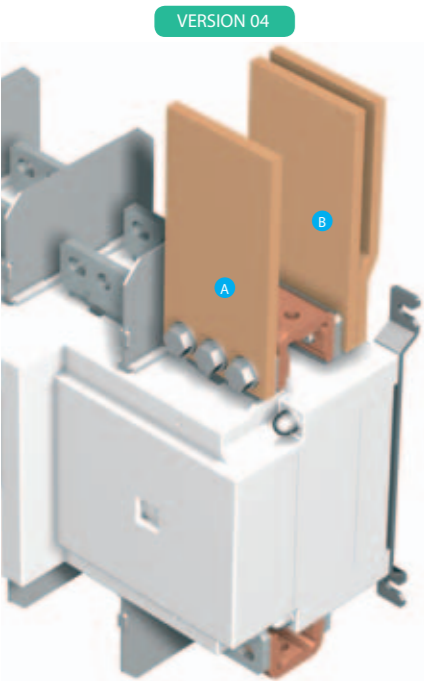
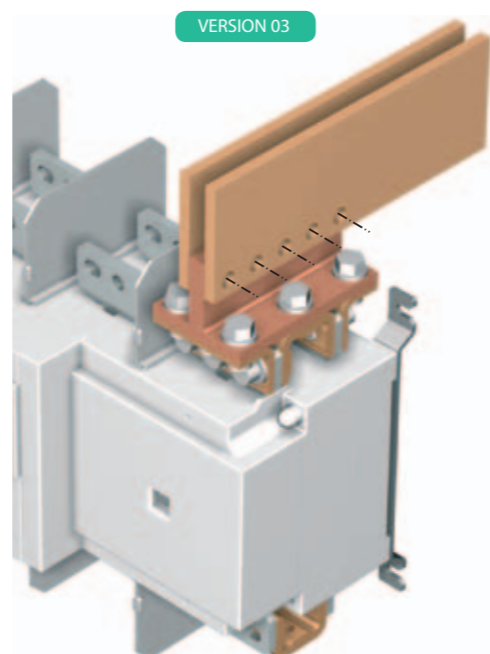
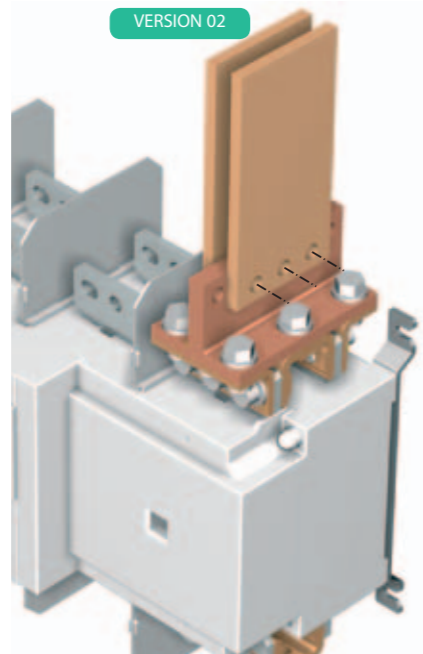
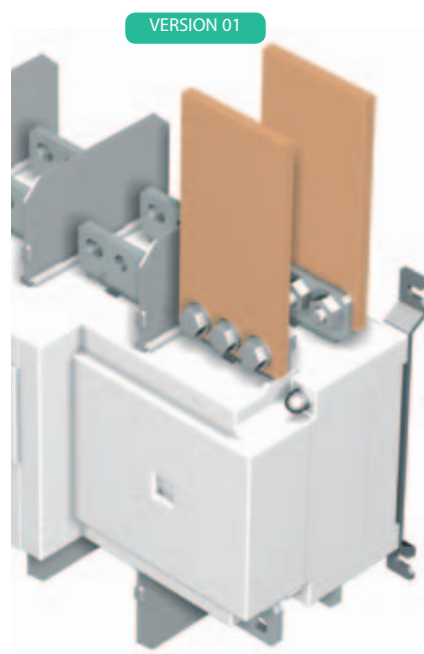


HAZARDOUS VOLTAGE . This equipment must be installed and serviced only by qualified electrical personnel. Turn off all power supplying this equipment before working on or inside equipment. Always use a properly rated voltage sensing device to confirm power is off. Replace all devices, doors, and covers before turning on power to this equipment. Failure to follow these instructions will result in death or serious injury.

LBS-PS11 - LBS-TS3200 3P - LBS-TS4P/3200
LBS 2000, 2500, 3200 3P - LBS 2500, 3200 4P

LOAD BREAK SWITCH





VERSION N°	Maximal current without downgrading *			Minimum connection without downgrading	provided with 3200A			708 lb-in 80 Nm		
	1	2	3		Cu	004661597	004661599	004661600	708 lb-in 80 Nm	708 lb-in 80 Nm
01	2000 A	2500 A	2500 A	2 x 100x10	-	-	-	H M12-35 6.8 6 x	12 x	6 x
02	2000 A	2500 A	2500 A	2 x 100x10	✓	✓	✓	H M12-55 6.8 3 x	6 x	3 x
03	2000 A	2500 A	2500 A	2 x 100x10	✓	✓	✓	H M12-55 6.8 5 x	3 x	5 x
04	2000 A	2500 A	3200 A	3 x 100x10	✓	-	-	A H M12-35 6.8 3 x	3 x	-
05	2000 A	2500 A	3200 A	3 x 100x10	✓	-	-	B H M12-45 6.8 3 x	6 x	-
06	2000 A	2500 A	2900 A	3 x 100x10	✓	✓	✓	H M12-65 6.8 3 x	6 x	3 x
07	2000 A	2500 A	3200 A	4 x 100x10	✓	-	-	H M12-45 6.8 6 x	6 x	-
08	2000 A	2500 A	3200 A	3 x 100x10	✓	✓	✓	H M12-65 6.8 5 x	10 x	5 x

* The conditions of use can lead to a downgrading.

1 I_{th} = 2000 A
3 P
004661458

2 I_{th} = 2500 A
3 P 004661459 4 P 004661468

3 I_{th} = 3200 A
3 P 004661460 4 P 004661469

