
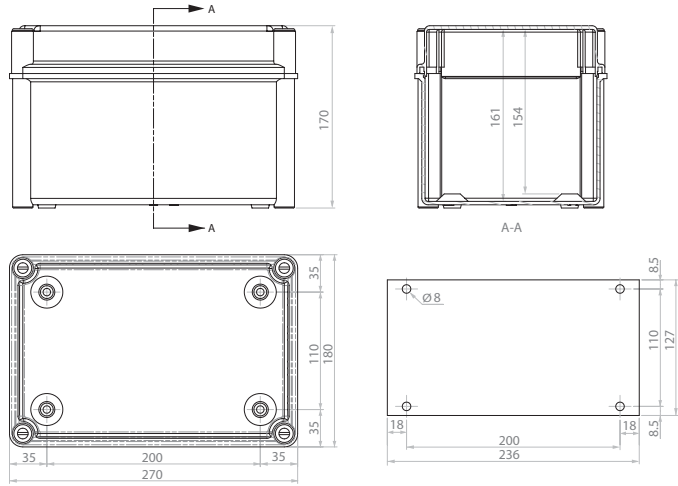


SB (S Box) Double insulation enclosures IP66, IK10

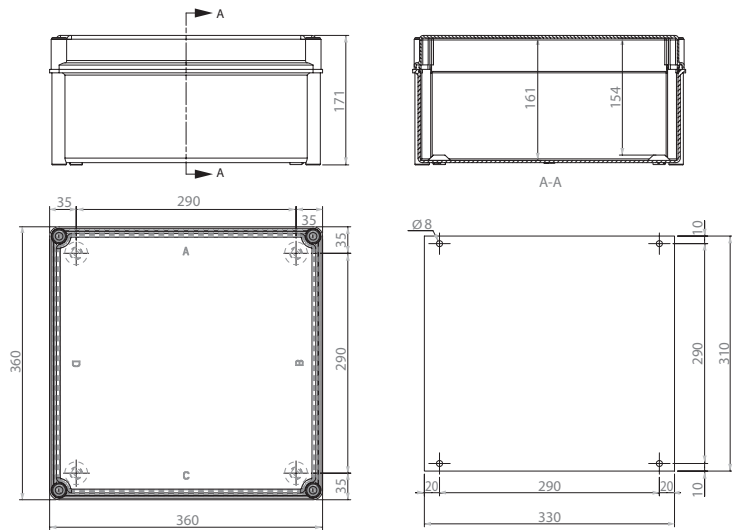
Technical data

IP protection degree	IP 66
IK protection degree	IK10 (≤ 20 kJ)
Double insulation	
Insulation class	II
Nominal voltage	1000V DC
Nominal current	1000 A
Installation temperature	-30°C ... +60°C
Colour	Base - grey (RAL 7035) / Lid - transparent
Flame resistance (UL 94)	Base - V0 / Lid - V2
Thermal resistance	Base - 960°C / Lid - 750°C
Standard	IEC 62208

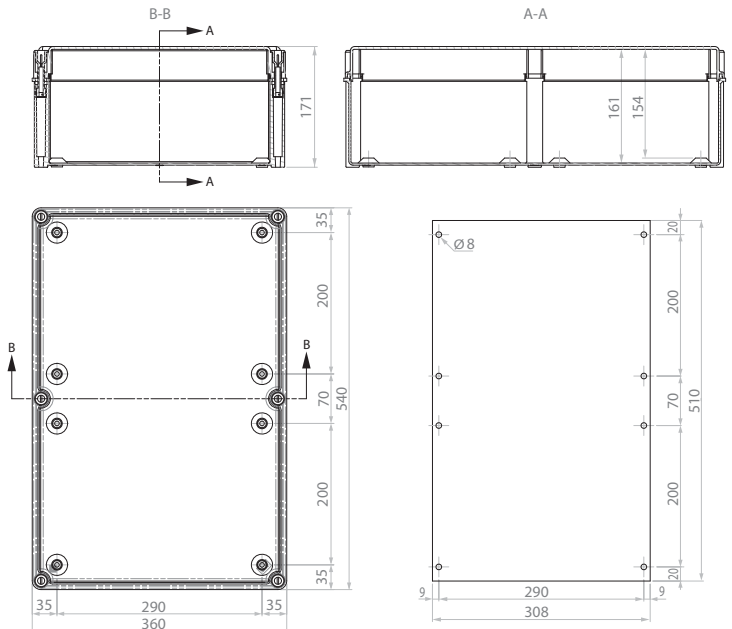
Dimensions



SB-32



SB-44



SB-64